

2

1

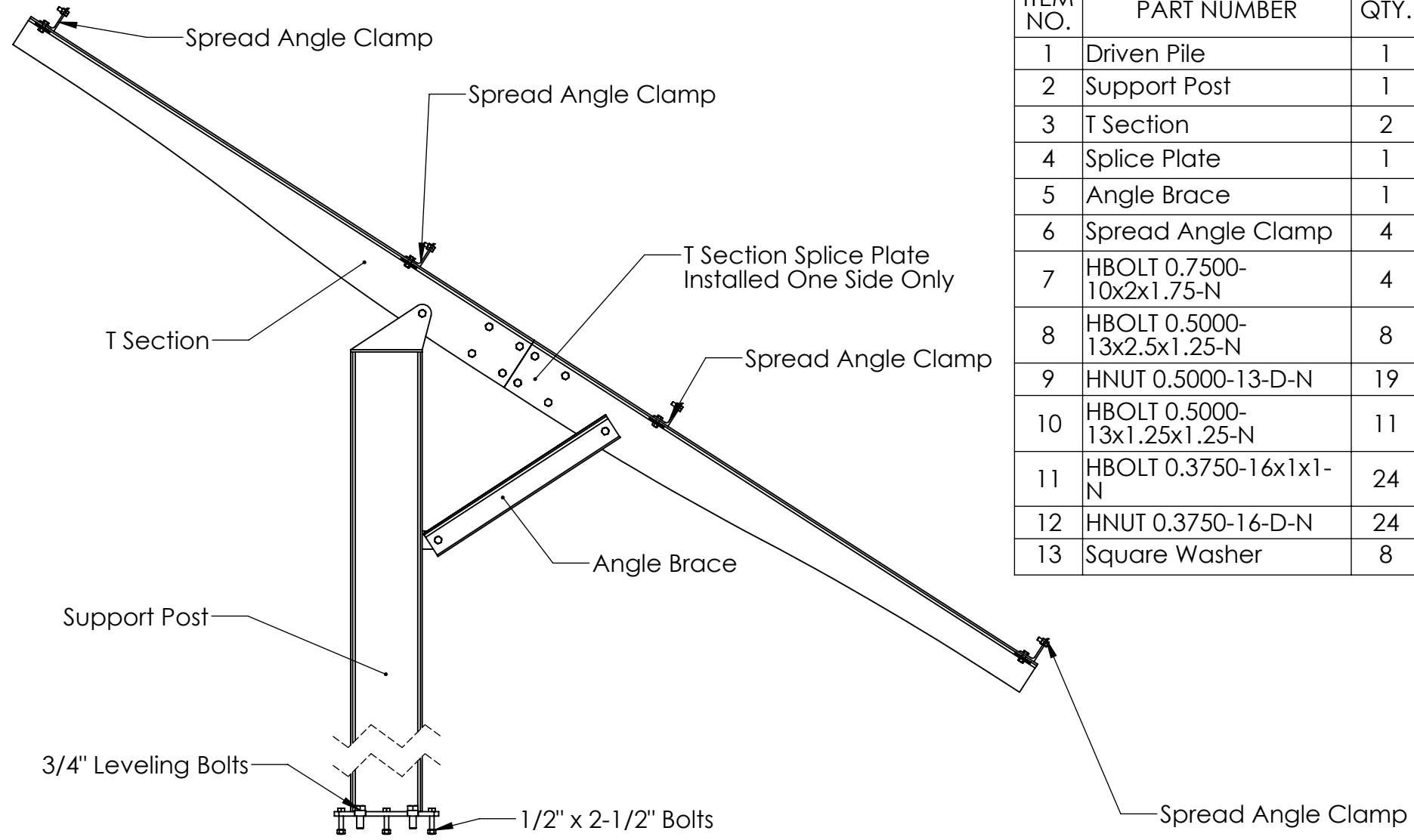
B

B

A

A

ITEM NO.	PART NUMBER	QTY.
1	Driven Pile	1
2	Support Post	1
3	T Section	2
4	Splice Plate	1
5	Angle Brace	1
6	Spread Angle Clamp	4
7	HBOLT 0.7500-10x2x1.75-N	4
8	HBOLT 0.5000-13x2.5x1.25-N	8
9	HNUT 0.5000-13-D-N	19
10	HBOLT 0.5000-13x1.25x1.25-N	11
11	HBOLT 0.3750-16x1x1-N	24
12	HNUT 0.3750-16-D-N	24
13	Square Washer	8



PROPRIETARY AND CONFIDENTIAL

THE INFORMATION CONTAINED IN THIS DRAWING IS THE SOLE PROPERTY OF MT SOLAR LLC. ANY REPRODUCTION IN PART OR AS A WHOLE WITHOUT THE WRITTEN PERMISSION OF MT SOLAR LLC IS PROHIBITED.

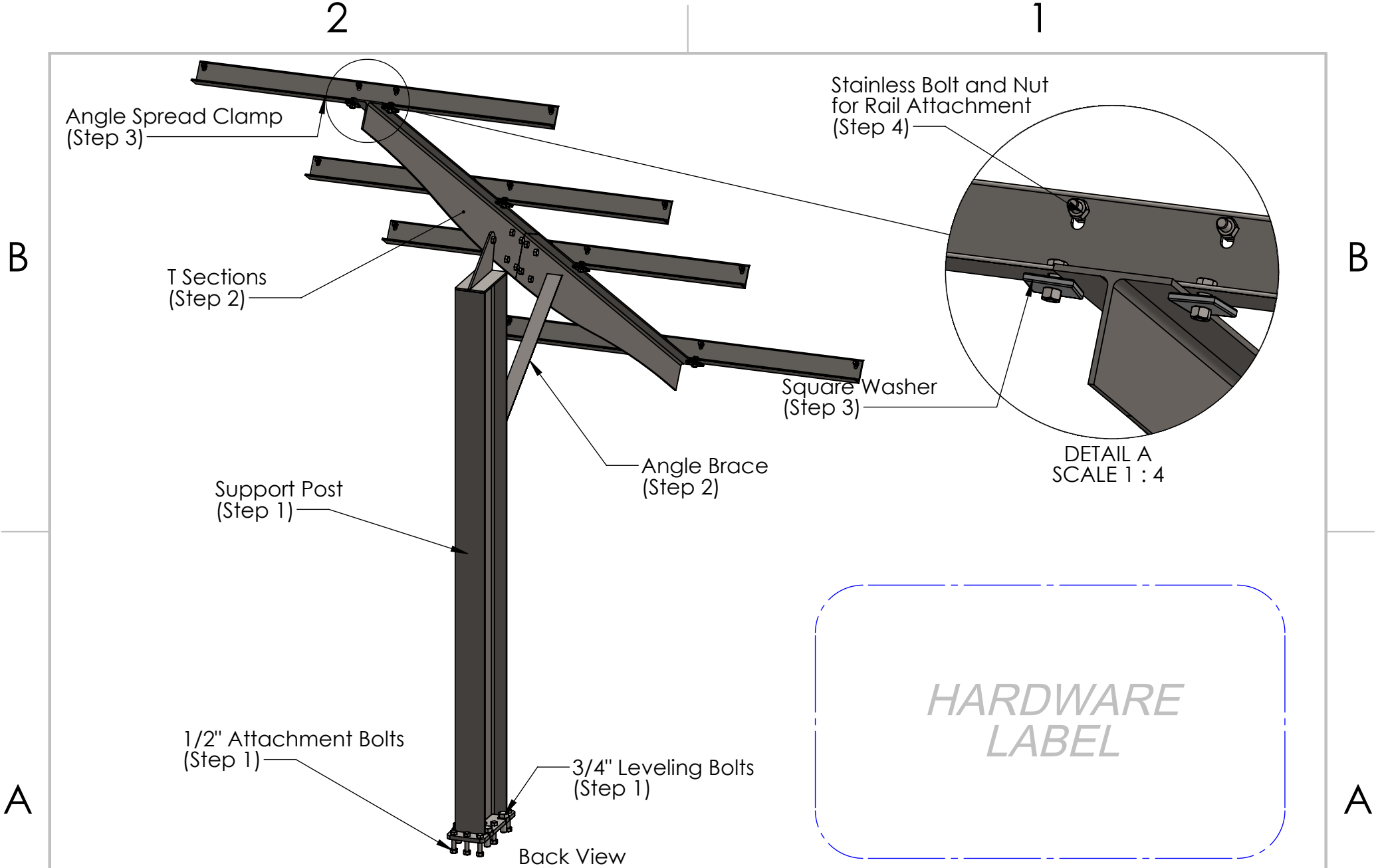
	NAME	DATE
DRAWN		
CHECKED		
ENG APPR.		
MFG APPR.		

TITLE:	DWG. NO.	REV
A Ground Mount Install Diagram		

SCALE: 1:16 SHEET 1 OF 2

2

1



PROPRIETARY AND CONFIDENTIAL THE INFORMATION CONTAINED IN THIS DRAWING IS THE SOLE PROPERTY OF MT SOLAR LLC. ANY REPRODUCTION IN PART OR AS A WHOLE WITHOUT THE WRITTEN PERMISSION OF MT SOLAR LLC IS PROHIBITED.	DRAWN	NAME	DATE	TITLE:		
	CHECKED			SIZE	DWG. NO.	REV
	ENG APPR.			A	Ground Mount Install Diagram	
	MFG APPR.					
					SCALE: 1:16	SHEET 2 OF 2

2

1