

4

3

2

1

D

D

C

C

B

B

A

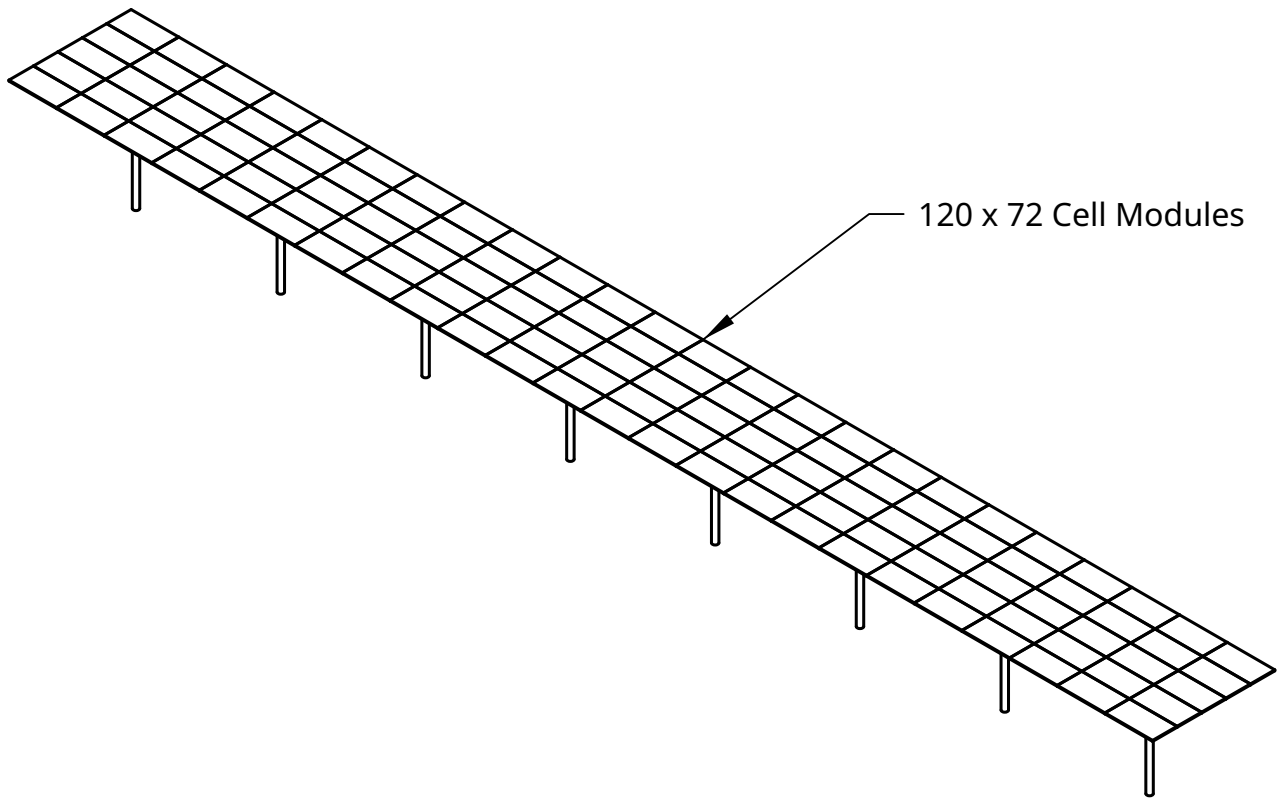
A

4

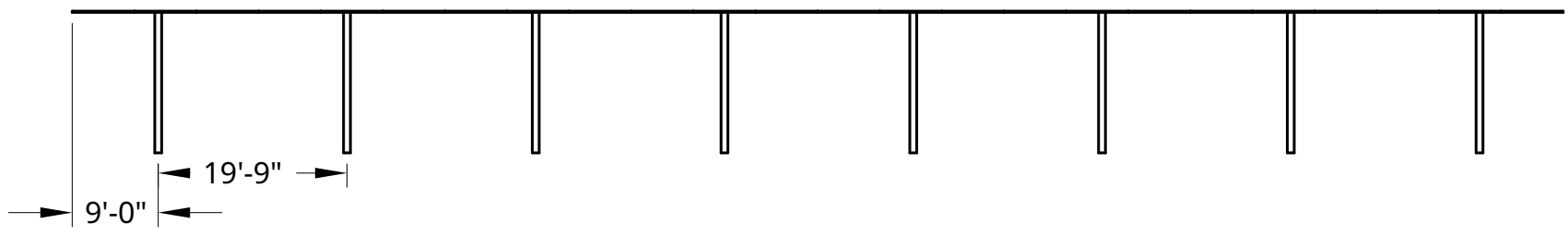
3

2

1



120 x 72 Cell Modules



9'-0"

19'-9"



MAST SOLAR FRAME PLAN

Project Identification

TOP-120 Tall- 72 Cell

WHEN SUPPLIED, DRAWING DIMENSIONS
SUPERSEDE CAD MODEL GEOMETRY.
UNLESS OTHERWISE SPECIFIED,
DIMENSIONS ARE IN INCHES (in)

DWG NO.

20-2-5

REV.

A

DRAWN BY: L. Fahrenkrug Date: 03/19/2020

SCALE .005:1 & NOTED

SHEET 1 of 1